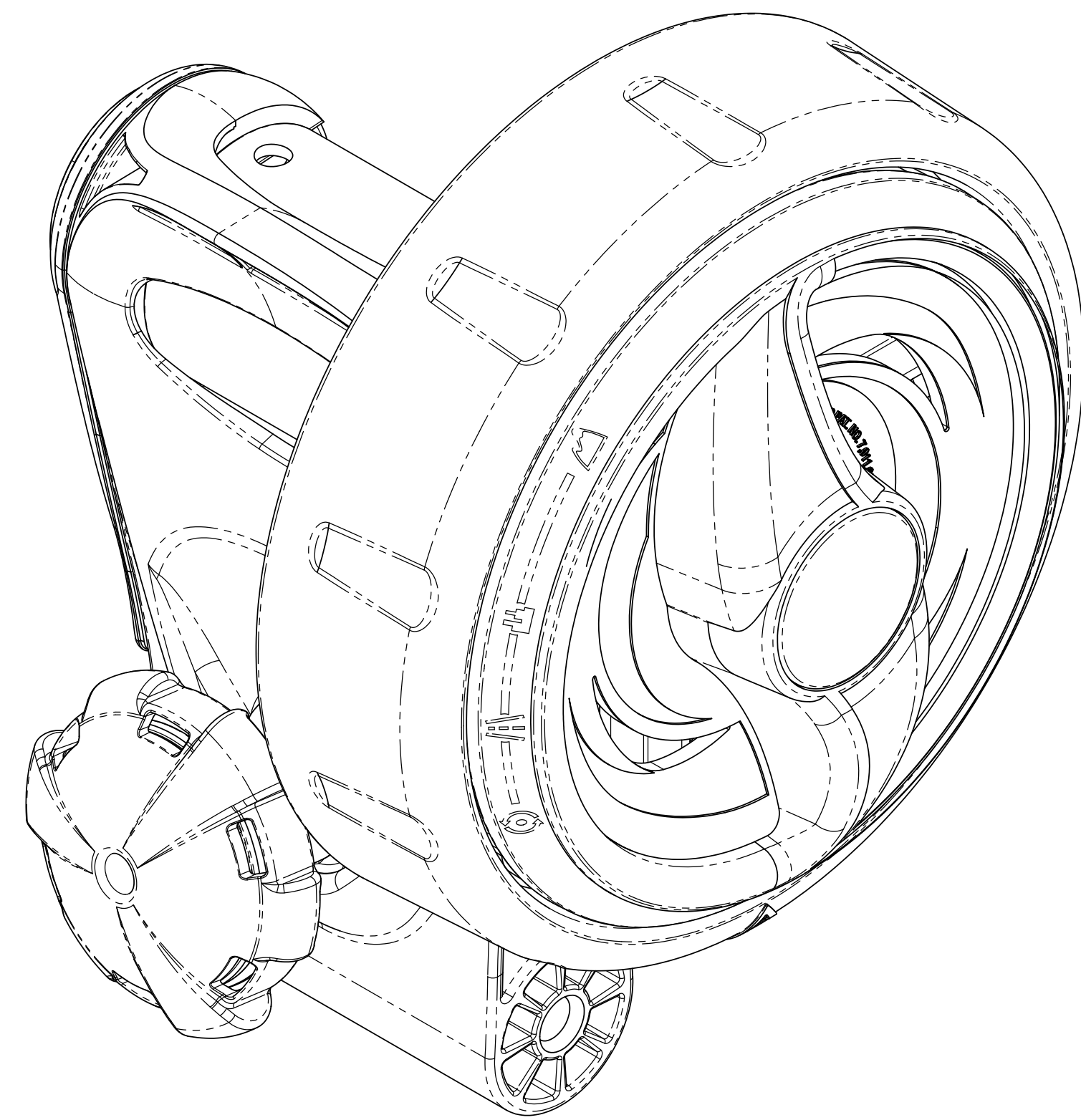
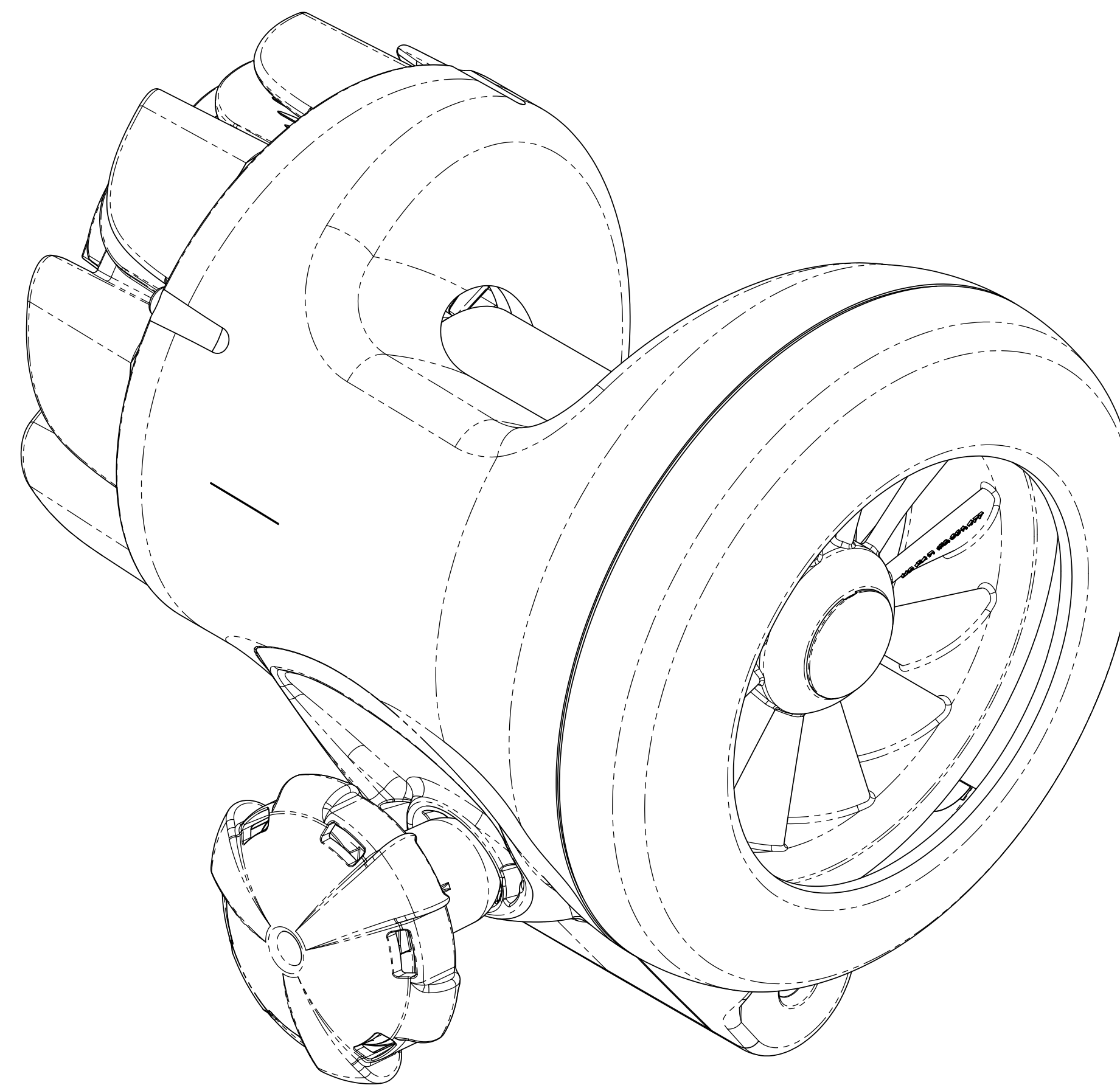


**BLACK PRO FRAME - 21000**



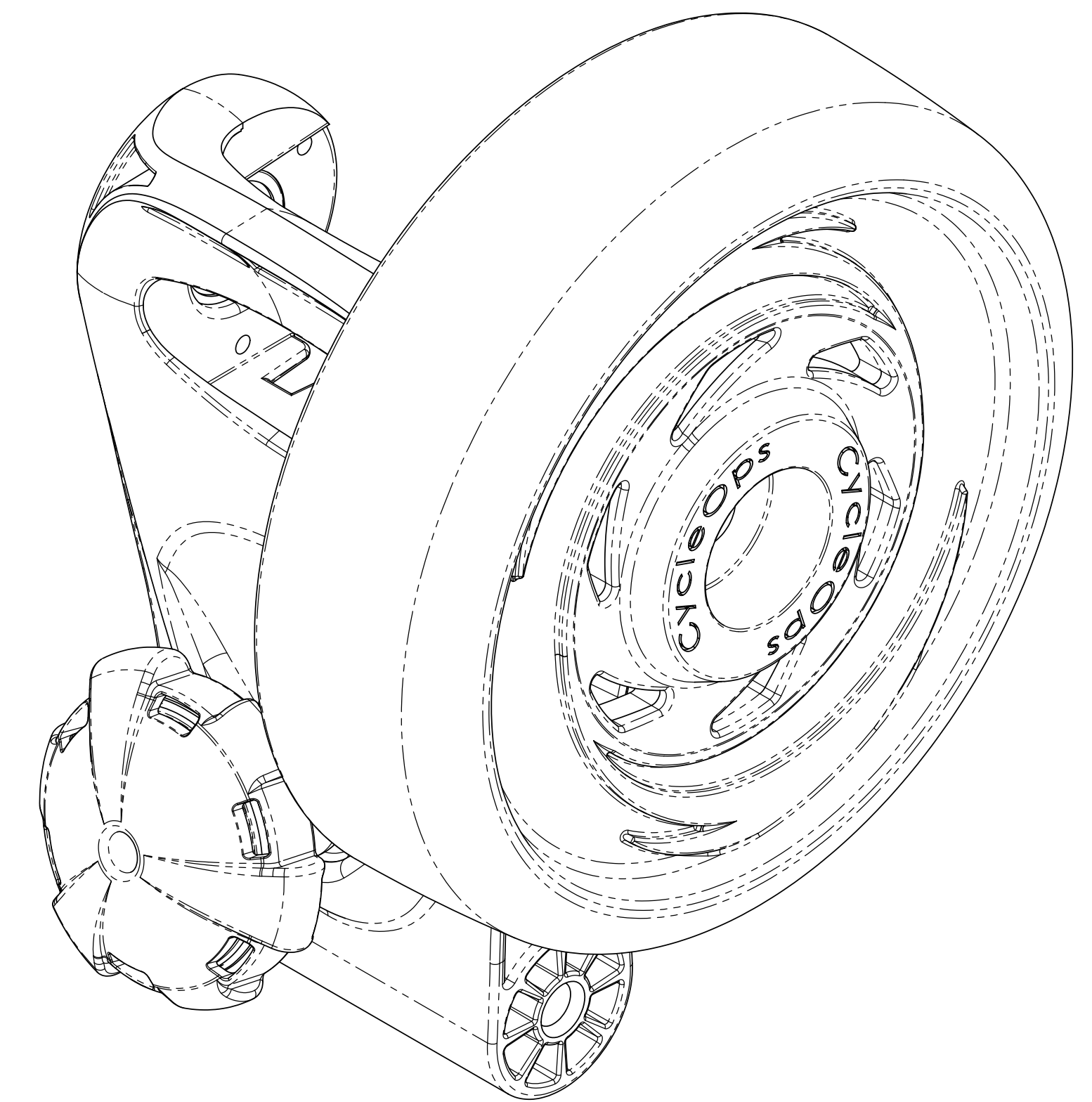
**SUPERMAGNETO RESISTANCE UNIT**

**16715**



**JET FLUID RESISTANCE UNIT**

**17822**



**POWERBEAM RESISTANCE UNIT**

**22441 - BLE**

**21068 - ANT+**

**21070 - POWER SUPPLY**



**SARIS CYCLING GROUP**  
5253 VERONA RD., MADISON WI 53711  
1-800-783-7257 / 1-808-274-6560  
WWW.SARIS.COM WWW.CYCLEOPS.COM  
WWW.POWERTAP.COM



© SARIS CYCLING GROUP 2014  
THE INFORMATION CONTAINED IN THIS DRAWING IS THE SOLE CONFIDENTIAL PROPERTY OF  
SARIS CYCLING GROUP AND REPRODUCTION IN PART OR WHOLE WITHOUT  
THE WRITTEN PERMISSION OF SARIS CYCLING GROUP IS PROHIBITED.

TITLE: **23088 - PRO SERIES TRAINERS**